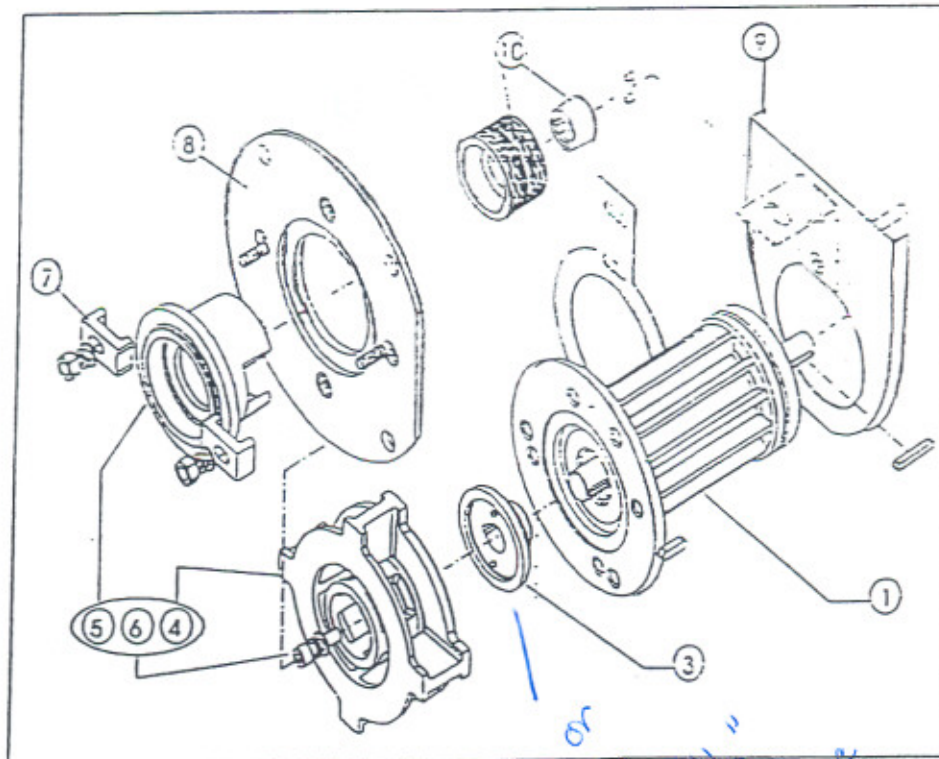

Contents Section 9

- 9.1 Blast Wheel Arrangement
- 9.2 Liners
- 9.3 Drive Train
- 9.4 Steering Unit
- 9.5 Separator
- 9.6 Abrasive Valve Assembly
- 9.7 Blast Head Seal Arrangement
- 9.8 Rear Arrangement (Wheel Motors, Guards, Idler Wheels)
- 9.9 2 - 30D Electrical Components
- 9.91 854 Dust Collector Electrical Components
854 Dust Collector Machine Assembly Drawing

9.1 Blast Wheel Arrangement

Item #	Part Number	Description	# Used
1.	489295	Bearing Unit	2
2.	495943	Bearing Unit Mount (not shown)	2
3.	495940	Wheel Hub	2
4.	493701	8" Blast Wheel	2
5.	694072	Control Cage	2
6.	500465	Soc Hd Cap Screw 3/8 - 16 X 1 1/4"	2
	483947	Spherical Washers	2
7.	694073	Control Cage Clamps	4
8.	694074	Control Cage Bracket	2
9.		Guard (Sheave) (B20013)	2
10.	493264	Sheave, Bearing Unit	2
11.	694101	Wheel Kit (Items 4, 5, and 6 above)	2

*** Denotes European Part Number



*3/16" Thick Seal
on control cage bracket
Throw away - we do not use.*

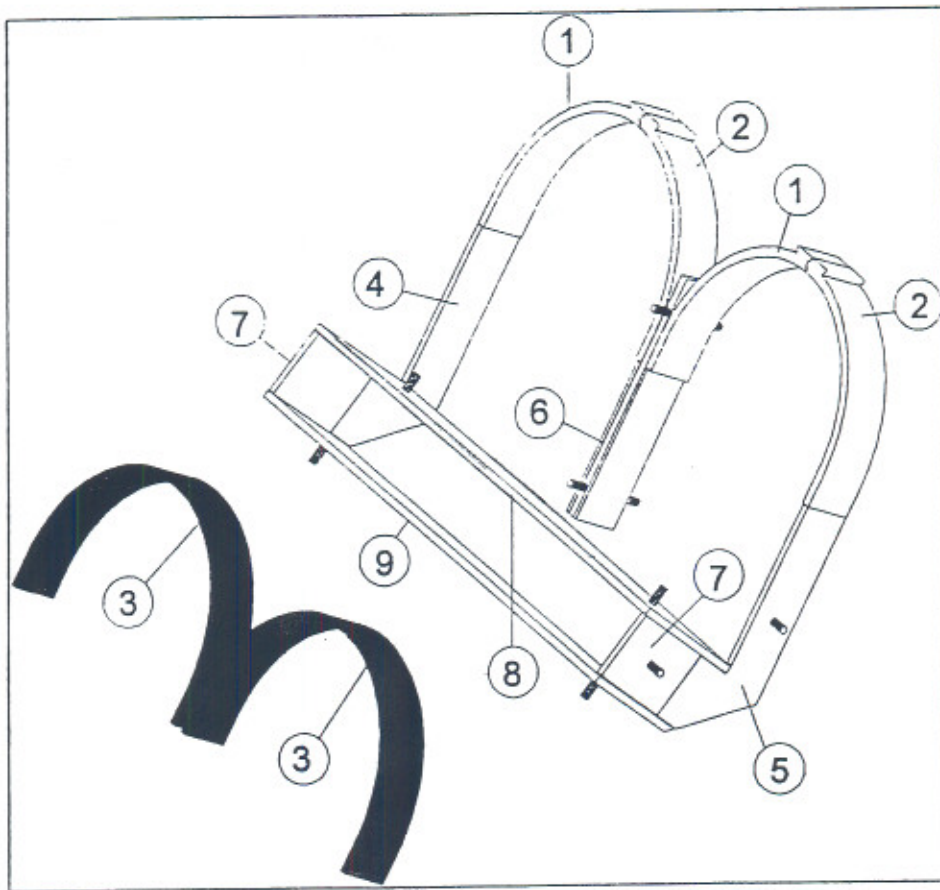
*Roll Pin or
Spring P.in
Size is 3/16 x 1/2"
get from hardware
store or from
Blastvac*

9.2 Liners

Item #	Part Number	Description	# Used
1.	***	Top Liner LH (Cast) Not Available in U.S.	
2.	***	Top Liner LH (Cast) Not Available in U.S.	
3.	694075	Top Liner	2
4.	694076	Side Liner LH	1
5.	694077	Side Liner RH	1
6.	694078	Middle Liner	1
7.	490045	Side Liner Plenum	2
8.	694079	Top Liner Plenum (B20815)	1
9.	694080	Bottom Liner Plenum (B20814)	1

Cover/Blast Hsg. Topliner

*** Denotes European Part Number *Separator - B20793*



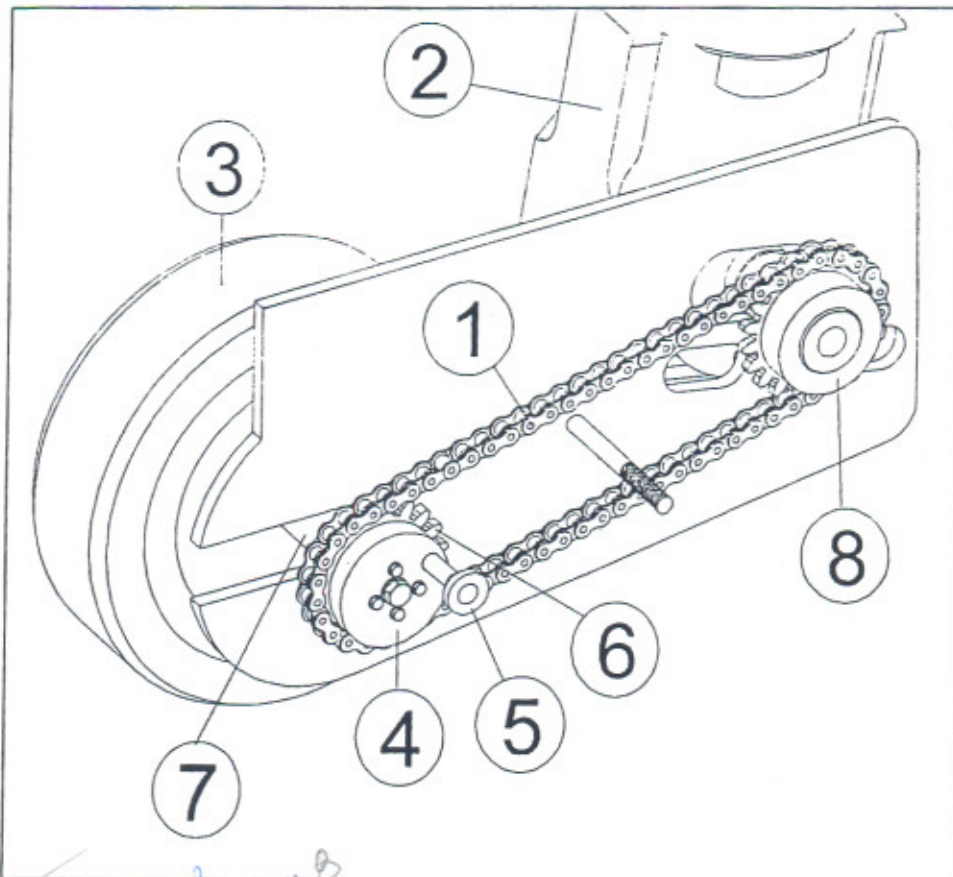
9.3 Traction Drive

4528360 MasterLink

①

Item #	Part Number	Description	# Used
1.	694081	Drive Chain 2546610 3ft.	1
2.	6937050	Drive Motor (#000123***)	1
3.	694082	Drive Wheel	1
4.	477630	Sprocket Retainer	1
5.	478198	Quick Release Drive Pin	1
6.	477631	Idler Sprocket	1
7.	694083	Drive Shaft	1
8.	694084	20 T Sprocket	1
Not			
Shown	694085	Bearing	2
Not			
Shown	488551	Hub	1

*** Denotes European Part Number



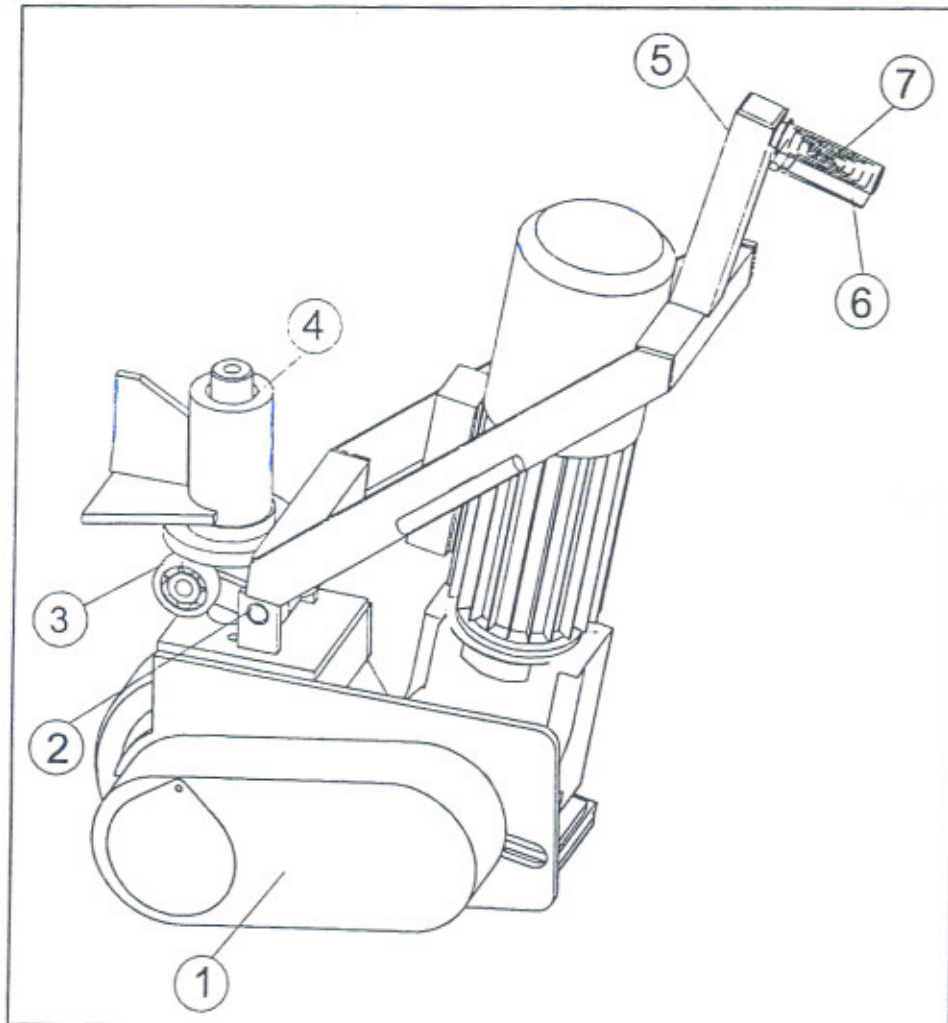
#4
Older metric
M8 - 1/2ea
New 99
M6 - 4/ea
1/4-20 Bolt
Butter knifes 500 cap
1" - 1/2"
④
① M8

9

9.4 Steering Unit

Item #	Part Number	Description	# Used
1.	694086	Chaing Guard	1
2.	694087	Bushing (Steering Pivot)	4
3.	694088	Bearing (Up/Down/Steering)	2
4.	694089	Bushing (Yoke)	3
5.	454796	Limit Switch	1
6.	490074	Lever	1
7.	453290	Grip	1

*** Denotes European Part Number





Spare Parts

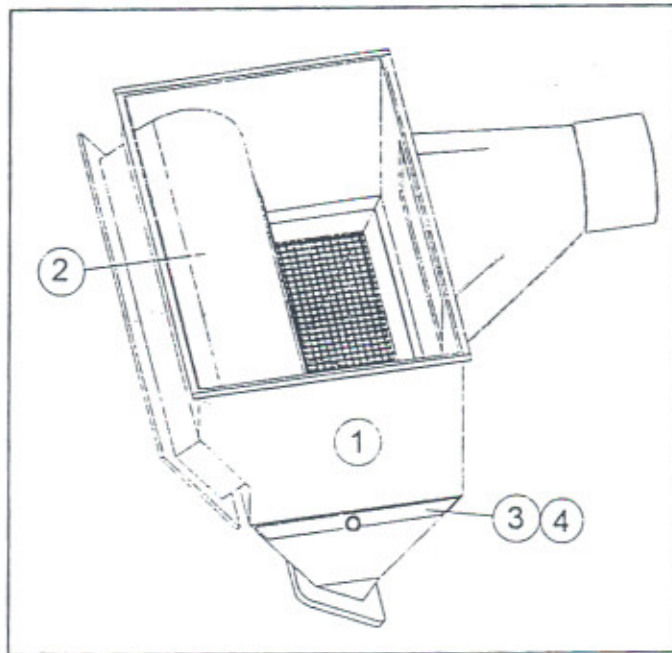
9.5 Separator

1-26-00

Item #	Part Number	Description	# Used
1.	P000965	Separator (B20819***)	1
2.	P000002	Deflector Plate (B20821***)	1
3.	P000966	Separator Screen / Tray (B20825***)	1
4.	P000967	Clamp	2

355

*** Denotes European Part Number



P000966

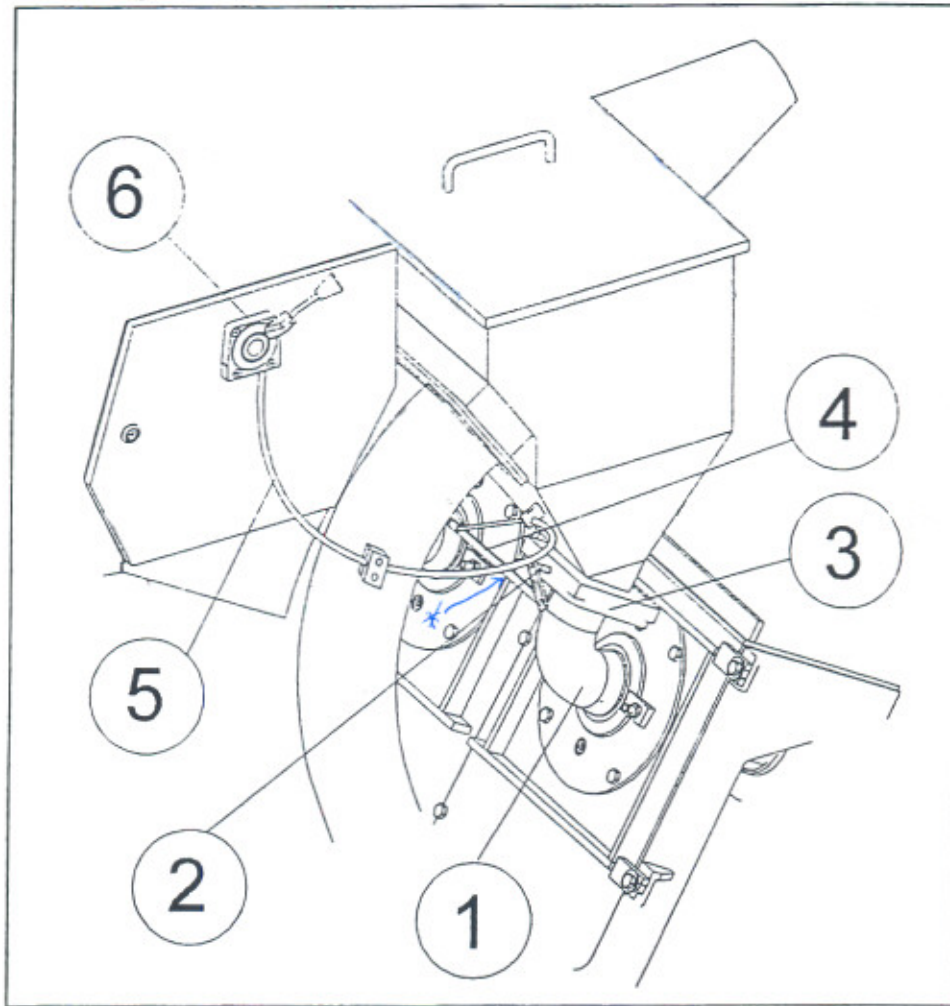
B20825- Separator Screen Tray

9.6 Abrasive Valve Unit

Item #	Part Number	Description	# Used
1.	694090	Feed Spout	2
2.	694091	Abrasive Valve	2
3.	<i>10 BT#</i> ()	Feed Spout Clamp Knob <i>B975615</i>	4
4.	694092	Valve Operating Mechanism	1
	<i>BB20820</i> (Ball & Socket / Turnbuckle) <i>BB20992</i>		
5.	694093	Abrasive Valve Control Cable	1
6.	694094	Abrasive Valve Control	1

BB20929
BB20929

*** Denotes European Part Number



9

*Abrasive cable
attaches to
Linkage
Shaft. **

*① 6940920
attaches to
Ret. blocks -
P001477*

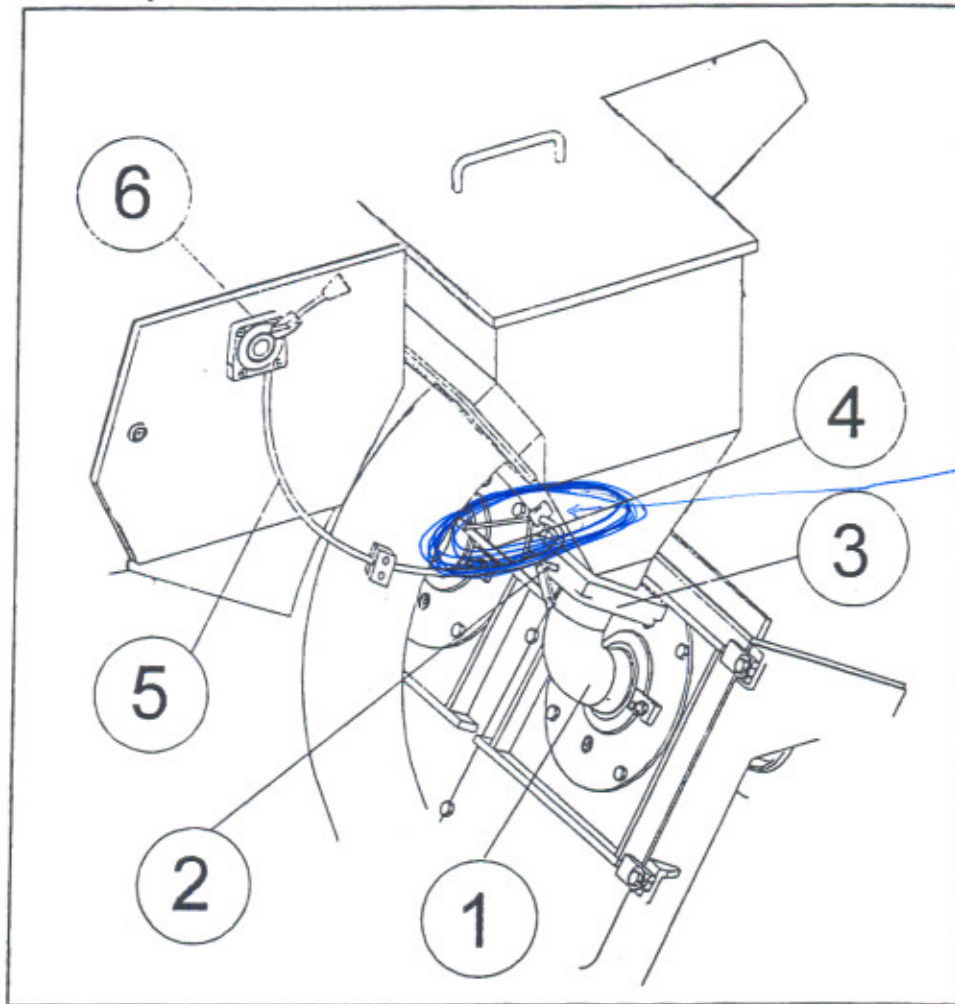
*② This attaches
to Valve
Shaft*

9.6 Abrasive Valve Unit

Item #	Part Number	Description	#Used
1.	694090	Feed Spout	2
2.	694091	Abrasive Valve	2
3.	110 BT# (cost, \$#)	Feed Spout Clamp Knob <i>B9751015</i>	4
4.	694092	Valve Operating Mechanism	1
	cost (1991) <i>BB20820</i>	<i>BB20820</i> (Ball & Socket / Turnbuckle) <i>BB20992</i> <i>(294) cost</i>	<i>BB20929</i>
5.	694093	Abrasive Valve Control Cable	1
6.	694094	Abrasive Valve Control	1

~~Cost 176~~
~~Cost 1330~~
~~6940920~~
~~BB20929~~

*** Denotes European Part Number

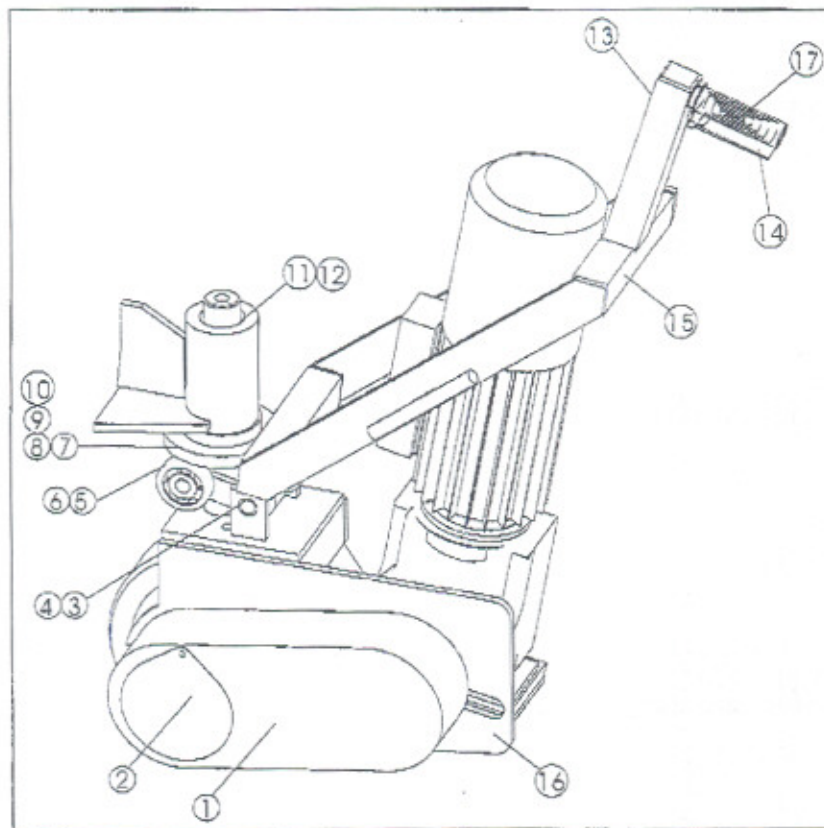


This is what we need.
 Thanks

PLN
B20521
Pivot / Abrasive
Control Cable

Spare parts

F.A.O. Anna Skidham



P/B 10.4



Spare parts

Steering unit

Item	Part no. 2-30D/DS	Description	Qty.
1	B21328	Chain guard	1
2	979971	Chain guard cover	1
3	973710	Oilite bush	4
4	971769	Bracket pin long	1
5	B20517	Bearing <i>6940880</i>	2
6	B20514	Bearing shaft <i>P001446</i>	2
7	B20511	Lifting plate	1
8	B20516	Felt seal lifting plate	1
9	B20512	Felt seal retainer	1
10	B20513	Bearing spacer	2
11	971341	Oilite bush	3
12	978978	Traction wheel yokeshaft	1
13	454796	Limit switch	1
14	490074	Switch lever	1
15	B20415	Steering lever	1
16	B20416	Drive motor bracket	1
17	453290	Handle grip	1





Spare Parts

Drive Unit / Cooling Fan for the 2-30D

This item is supplied complete with Drive Motor / Gear Box and Fan.
Tilghman part number is BB20940.

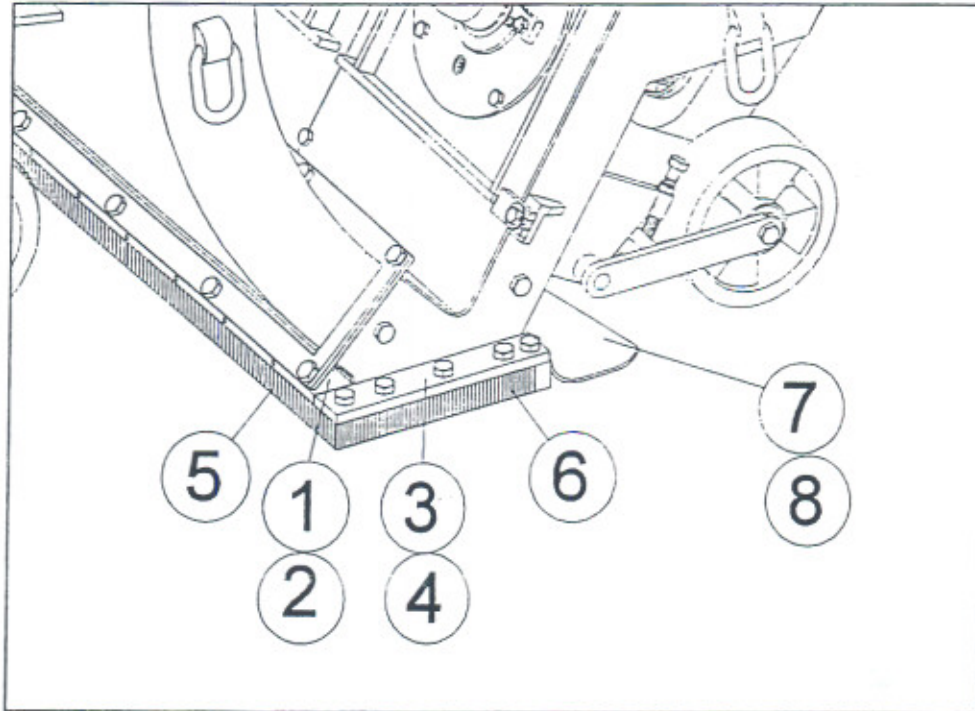
6937050

If you require the Drive Unit and Fan as separate items please contact your nearest Blastrac Service Center, they will have to check with the supplier and see if this is possible.

9.7 Blast Head Seal

Item #	Part Number	Description	# Used
1.	694095	Insulator (Front)	1
2.	694096	Front Magnet	2
3.	489945	Insulator (Side)	2
4.	490047	Side Magnet	2
5.	715442	Front Brush <i>B20816</i>	1
6.	715443	Side Brush RH <i>B20413</i>	1
Not			
Shown	715444	Side Brush LH <i>B20424</i>	1
7.	694097	Skid Seal LH <i>7154470</i>	1
8.	694098	Skid Seal RH <i>7154470</i>	1

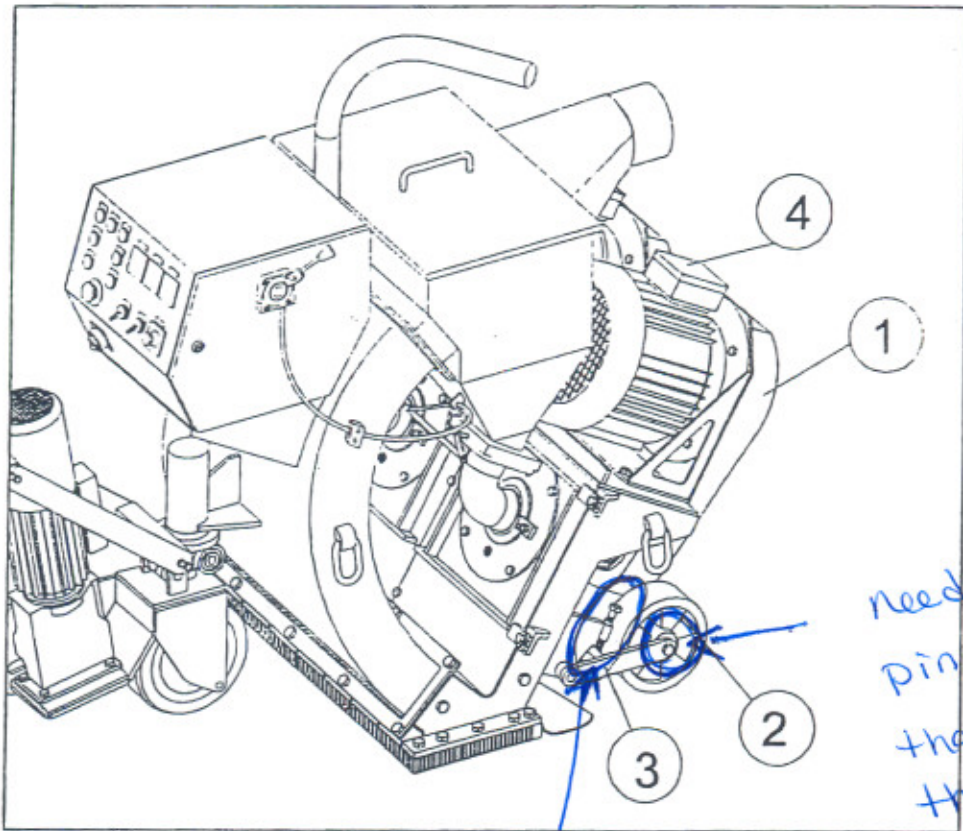
*** Denotes European Part Number



9.8 Rear Arrangement (Wheel Motors, Guard, Idler Wheels)

Item #	Part Number	Description	# Used
1.	694099	Guard	2
Not			
Shown	491523	Top Pulley with Taper Lock	2
Not			
Shown	<u>491522</u>	Poly - V Belt <i>493263</i>	2
2.	694100	Idler Wheel	2
3.	694107	Idler Wheel Bracket	2
4.	697638	Wheel Motor	2

*** Denotes European Part Number



*Top pulley
4932640
Bottom pulley
4932650*

*Need idler
adjustment
Bolt
P002317*

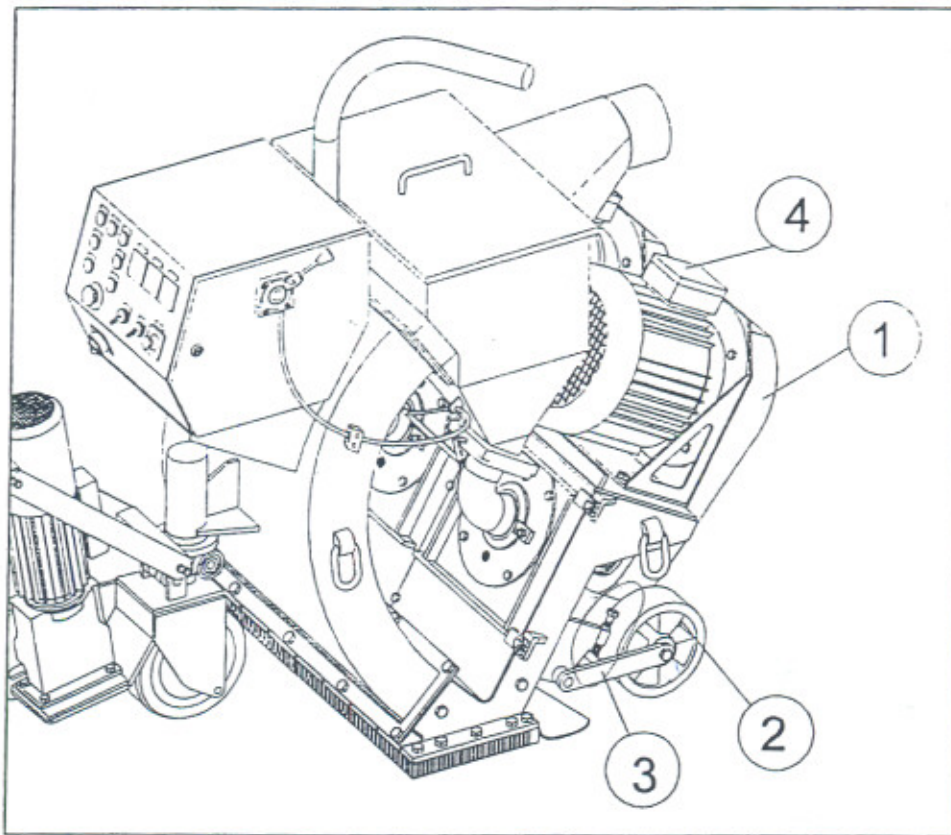
*Need this
pin/bolt
that goes
through the
Caster Bracket*

*roll pin ~~use to~~
not have
machine shop
EBB*

9.8 Rear Arrangement (Wheel Motors, Guard, Idler Wheels)

Item #	Part Number	Description	# Used
1.	694099	Guard	2
Not			
Shown	491523	Top Pulley with Taper Lock	2
Not			
Shown	491522	Poly - V Belt <i>4932630</i>	2
2.	694100	Idler Wheel	2
3.	694107	Idler Wheel Bracket	2
4.	697638	Wheel Motor	2

*** Denotes European Part Number



*Top pulley ->
4932640
4932630
Bottom pulley*



9.9 Electrical Components (2- 30D)

Blastrac Part #	Mfgr.	Mfg. Prt. #	Description	Qty.
#693525	Gale	693525	2 - 30D Electrical Panel	1
#693704	Nord	SK1500/3	Frequency Inverter	1
#693705	Nord	905/4 BRE16 5RTF	AC Drive Gearmotor	1
#495119	G.E.	9T58K0049	Control Transformer w / 9T58P16 Fuse Clip	1
	Bussman	JP60030-3PR	Fuse Block	1
#693706	Bussman	LPJ-60SP	Fuse	3
#693707	Bussman	LPJ-10SP	Fuse	3
#497599	Bussman	MDL-3	Fuse	1
	A-B	194R-NJ060P3	Fused Disconnect	1
	A-B	194R-R1	Operating Shaft	1
	A-B	194-HS4E	Operating Handle	1
#693708	A-B	100-A24ND3	Contactor (Wheel Motors)	2
#677179	A-B	193-BSC24	Overload Relay <i>wheel Motors</i>	2
#693709	A-B	100-A12ND3	Contactor (Motor Fan)	1
#693710	A-B	193-BSB12	Overload Relay <i>193 EA1DB</i>	1
#677698	A-B	100-A09ND3	Contactor (Brake) <i>100 CO9D10</i>	1
#296700	A-B	1492-CA1	Terminals	37
#693711	A-B	800H-PRA15A	Illum Push (Amber)	3
#693712	A-B	800H-PR16R	Pilot Lamp (Red)	2
#693713	A-B	800H-PR16G	Pilot Lamp (Green)	1
#693714	A-B	800H-FRXT6D4	Push Button (E Stop)	1
#672923	A-B	800H-BR6D2	Push Button (Red)	3
#693715	A-B	800H-HR2A	Sel. Switch (2 Pos)	2
#493460	Yokogawa	250240NLNL	30 A. Ammeter	2
#494823	Engler	710/10NG7	Hour Meter	1
#693716	Kellems	CG812 (074-01-021)	Cord Grip 1"NPT (.625-.750)	2
#489953	Kellems	CG 408 (074-01-008)	Cord Grip 1/2" NPT (.375 - .5)	3
#490195	Kellems	CG-610 (074-01-017)	Cord Grip 3/4"NPT (.5-.625)	1
#422989	Kellems	CG1018 074-01-027	Cord Grip (Pwr. In) 1-1/4"NPT (1-1.125)	1
			Cord Grip (Blast Motors)	2
			Cord Grip PT Res. & Microswitch	2
			Cord Grip Fan on AC Gearmotor	1

P002517

P002006 -
P001743 -
P002008 -
P002007 -
P001737

P002030
Lens only
9



Spare Parts

			Cord Grip / AC Gearmotor & Brake	1
#693717	Hoffman	A-4AXFN	Panel Blower	1
#693718	Hoffman	A-VK33	Louver	2
#693719	Hoffman	A-FLT33	Filter	2
	EEMTECH	CUSTOMIZED	Panel / Enclosure	1
#687123	KBIC	9832	Knob & Dial	1
	Panduit	LAMA2-14-Q	Grounding Lug	2
#693720	KBIC		10K-ohm Pot	1
#687879	Appleton	ACP6034	60 A Plug	1
	Royal	10/4 SO Cable	8 feet	1
	Royal	16/6 SO Cable	6 feet	1
	Royal	16/4 SO Cable	6 feet	2
	Royal	16/2 SO Cable	6 feet	1
	Royal	16/2 Shielded Cable	6 feet	1
#422987	Royal	6/4 SOW Cable	60 feet	1



9.91 Electrical Components (854 Dust Collector)

Blastrac Part #	Mfgr.	Mfg. Part #	Description	Qty.
#678217	Telemec.	D10S2	Disconnect (60 A.)	1
With #678217	Telemec.	D11SF4	Operator Handle	1
	Telemec.	D12D62	Fuse Kit	1
#672922	A-B	800HAR1D1	Push-button (Green)	2
#672923	A-B	800H-BR6D2	Push-button (Red)	2
#463182	A-B	800H-PR16A	Pilot Light (Amber)	2
	A-B	800H-N5B	Boot (Green)	2
	A-B	800H-N5A	Boot (Red)	2
#677698	A-B	100-A09ND3	Contact (Compressor)	1
#678216	A-B	100-A18ND3	Contact (FAN)	1
#676080	A-B	193-BSB30	Overload Relay (Fan)	1
#676523	A-B	193-BSC15	Overload Relay (Compressor)	1
#296700	A-B	1492-CA1	Terminals	18
#495119	G.E.	9T58K49	Control Transformer	1
With #495119	G.E.	9T58P16	Fuseholder	1
#464493	Bussman	FRS-R60	60 A. Fuses	3
#463862	Bussman	FRN-R20	20 A. Fuses	3
	Marathon	6F30A3SP	Fuseblock	1
#489953	Kellems	074-01-008 (CG408)	Cord Grip	1
#490195	Kellems	074-01-017 (CG-610)	Cord Grip	1
#422989	Kellems	074-01-027 (CG-1018)	Cord Grip	1
#688839	Kellems	074-01-080 (CG-410-90)	Cord Grip	1
#489954	Kellems	074-01-078 (CG-408-90)	Cord Grip	1
#492007	Kellems	074-01-083 (CG-610-90)	Cord Grip	1
#490196	Kellems	074-01-018 (CG-612)	Cord Grip	1
#678390	Yokagawa	250240NGNG	Ammeter (20 A.)	1
#494823	Engler	710/NG7	Hour Meter	1
#687880	Appleton	ACR6034	Receptacle	1
#417012		16/3 SO	Cable	ft.
#422987		6/4 Type W	Cable	ft.
#276996		14/4 SO	Cable	ft.
#490197		12/4 SO	Cable	ft.
#497599	Bussman	MDX-3A	Fuse (3 A.)	1
#497698			7.5 HP Blower Motor	1



#487270		DNC T2003-A10	Timer Board (Solid State 1-3 out)	1
#265505			Compressor Motor	1
#497376	Gale	#497376	Electrical Control Panel	1